



## 2.4GHz Omni Directional Antenna

- Connector Mounted
- Designed for outdoor use

### Model ISM360-2400-7-T0-NM-P

UV Stabilized ABS Radome

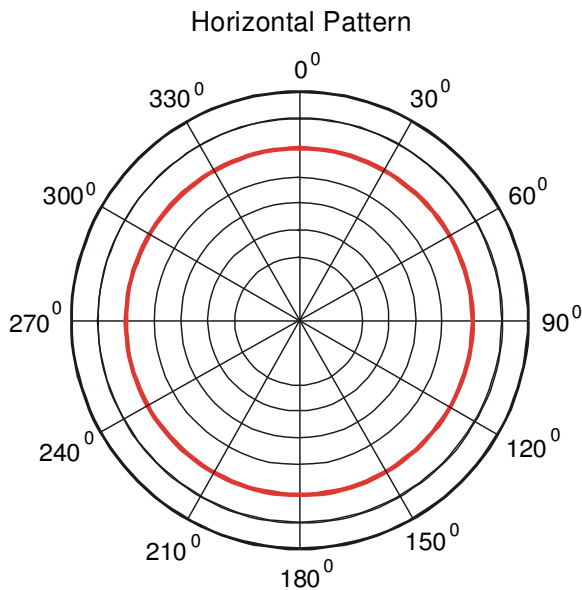


#### ELECTRICAL SPECIFICATIONS

Frequency Range	2400-2485 MHz
VSWR	2.0:1 VSWR
Forward Gain	7 dBi
Polarization	Vertical
Maximum Power Input	20 Watts
Vertical -3dB Beamwidth	18° +/- 5°
Horizontal -3dB Beamwidth	360° +/- 5°

#### MECHANICAL SPECIFICATIONS

Connector	Type 'N' Male
Mounting	Connector
Dimension (L x W x H)	17.72" x .63" (450mm x 16mm)
Weight	<1 lbs (<.4.5kg)
Color	Gray



Typical 7 dBi Pattern

