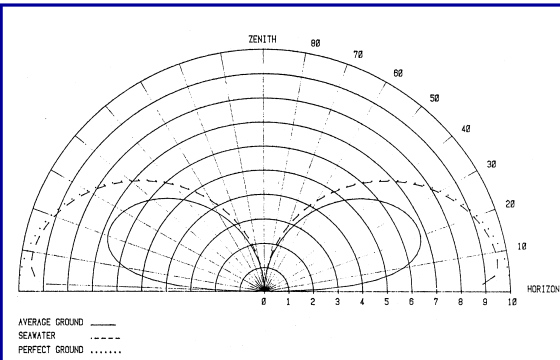
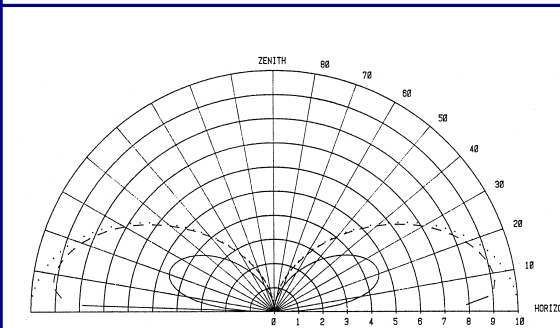


CMV-230/330/430

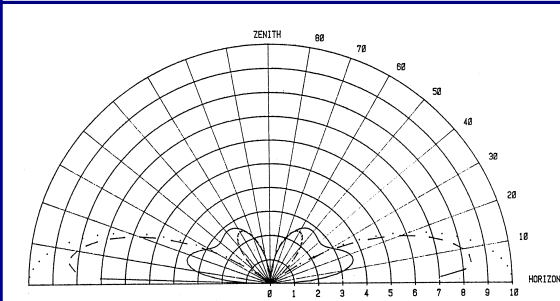
- OMNIDIRECTIONAL
- VERTICAL POLARIZATION
- BROADBAND
- CONICAL MONOPOLE



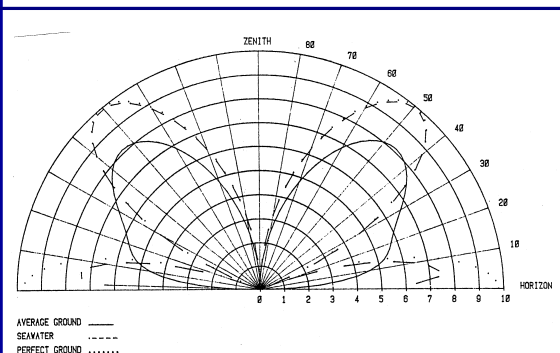
**ELEVATION (VOLTAGE) AT 3 MHz
CURVES FOR VARIOUS TYPES OF GROUND**



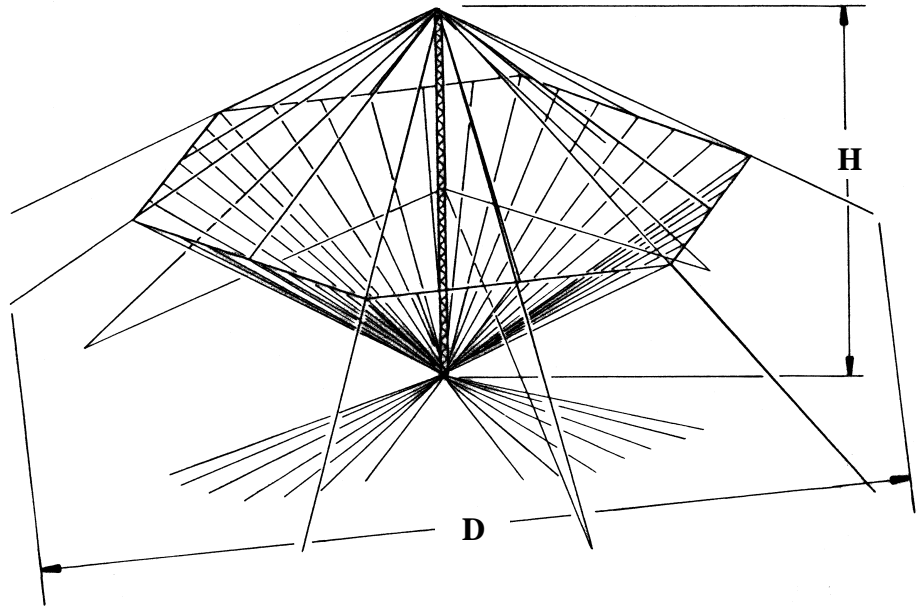
**ELEVATION (VOLTAGE) AT 6 MHz
CURVES FOR VARIOUS TYPES OF GROUND**



**ELEVATION (VOLTAGE) AT 24 MHz
CURVES FOR VARIOUS TYPES OF GROUND**



**ELEVATION (VOLTAGE) AT 30 MHz
CURVES FOR VARIOUS TYPES OF GROUND**



Applications

The CMV series are fixed station antennas suitable for short range groundwave circuits and medium to long range skywave circuits.

Features

Rugged design, built from materials which have good corrosion resistant properties and require little or no maintenance.

Characteristics

The antennas are broadband, omnidirectional, vertically polarized, conical and operate up to 15:1 frequency band.

Equipment Supplied

Prefabricated alumoweld curtain, bolted 6061-T6 aluminum tower, guys, base insulator, anchors, ground screen, antenna coupler, and spare hardware.

Optional Equipment

Obstruction lights, erection kit, repair kit, and repair tool kit. Coaxial cable, connector adapters and mating adapters.



SPECIFICATIONS

Gain	5 dBi
Input Impedance	50 Ohms unbalanced
VSWR	2.0:1 maximum
Power Capability	1 kW avg/2 kW PEP
/1 (Type "N")	10 kW avg/20 kW PEP
/2 (1-5/8" EIA)	25 kW avg/50 kW PEP
/3 (3-1/8" EIA)	
Wind Loading	100 mph

MODEL	230	330	430
Frequency Range	2-30 MHz	3-30 MHz	4-30 MHz
Maximum Height (H)	114 ft	73 ft	58 ft
Diameter (D)	450 ft	290 ft	225 ft
Ground Screen Radius	110	70	55
Shipping Weight (lbs)	2,500	2,000	1,500
Shipping Volume	90	80	70
Military Nomenclature	AS-3186/FRC	—	—