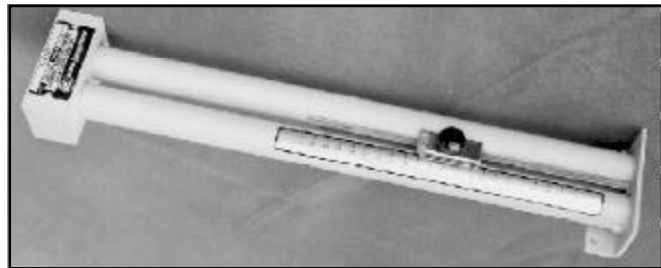
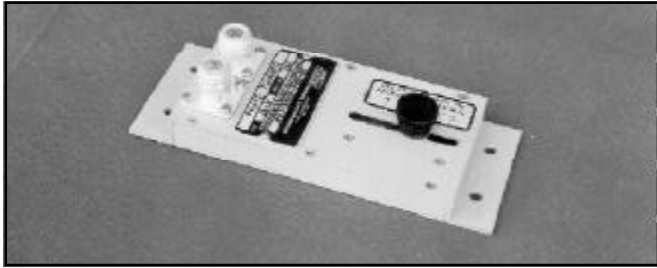
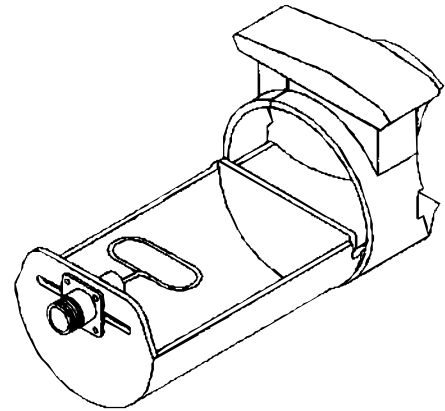


ILS ACCESSORIES

SX-31 PHASE TRIMMER



SX-32 PHASER



MI-3 PROBE

SPECIFICATIONS

SX-31

SX-32

Frequency Range	100 to 425 MHz	100 to 400 MHz
VSWR	1.05:1	1.06, 100-200 MHz: 1.10, 200-400 MHz
Insertion Loss	0.1 dB	0.1 dB
Phase Shift at 332 MHz	± 15°	0 to 210°
Electrical Length at 332 MHz with index at zero	110 ± 10	230 ± 20
Impedance	50 Ohms	50 Ohms
Temperature	-58°F to +158°F	-58°F to +158°F
Humidity	99%	99%
Weight	11 oz.	2.5 lbs.

SPECIFICATIONS

SX 28

SX 39

MI-3 PROBE

Frequency Range	108 to 112 MHz	328 to 332 MHz	Used to measure the amplitude and relative phase between the 3 dipole elements in the Glideslope antenna
Insertion Loss	0.1 dB	0.5 dB	
VSWR	1.15:1 Maximum	1.1:1 Maximum	
Isolation between opposite ports	35 dB Minimum	30 dB Minimum	Weight 9 Ounces
Impedance	50 Ohms	50 Ohms	Temp Range -20 to +140°F
Connectors	Type "N" Female	Type "N" Female	Coupling Factor -40 dB nominal @ 328 MHz
Construction	Stripline	Stripline	