

# Phazar Antenna Corp.

A division of PHAZAR CORP

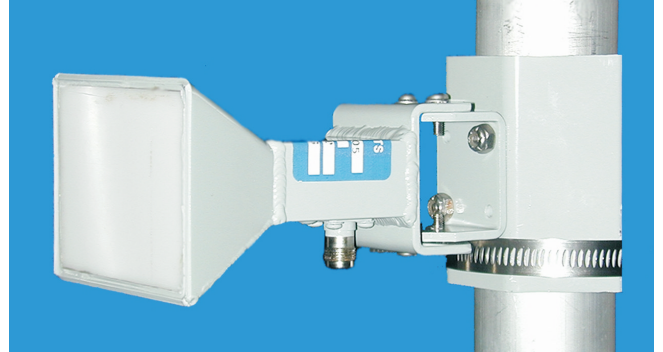
*Products of a Higher Intelligence*

## 12 dBi Public Safety Band 4.94 - 4.99 GHz Horn Antenna

Model Number PSB40-4940-12-TA-N

### ELECTRICAL SPECIFICATIONS

Frequency Range	4.94 - 4.99 GHz (4940 - 4990 MHz.)
Maximum Power Input	50 Watts
Polarization	Vertical
VSWR	1.5 : 1 Nominal
Forward Gain	12.1 dBi (10 dBd)
Vertical Beamwidth (Half power point)	40 Degrees
Horizontal Beamwidth (Half power point)	40 Degrees



PSB40-4940-12-TA-N

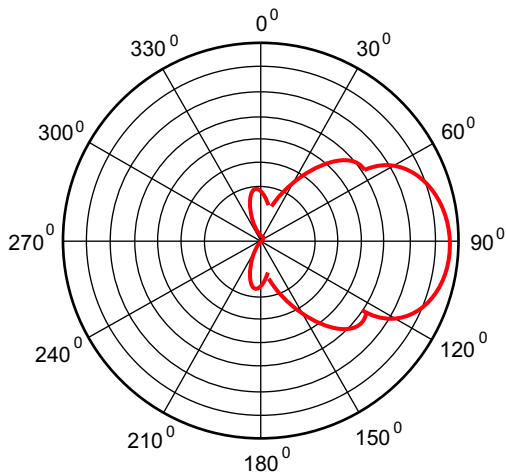
### MECHANICAL SPECIFICATIONS

Termination	N female (TNC also available)
Mounting	Adjustable Swivel Wallmount; Pipe mount available
Dimensions	2.7"H x 3.7"W x 5.5"D
Weight	.5 lbs

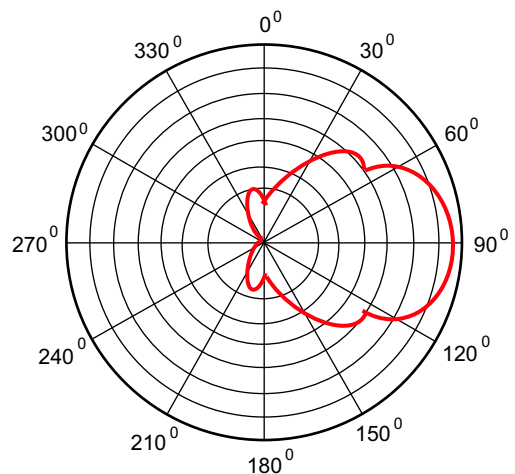
### ENVIRONMENTAL SPECIFICATIONS

For Indoor or Outdoor Use

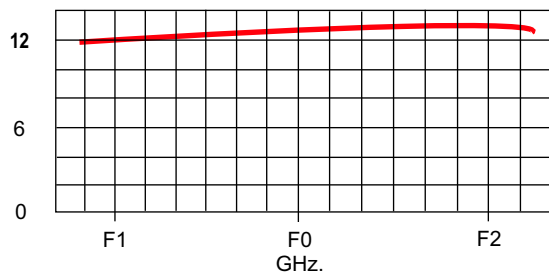
Vertical Pattern



Horizontal Pattern



dBi Gain



VSWR

Typical VSWR

